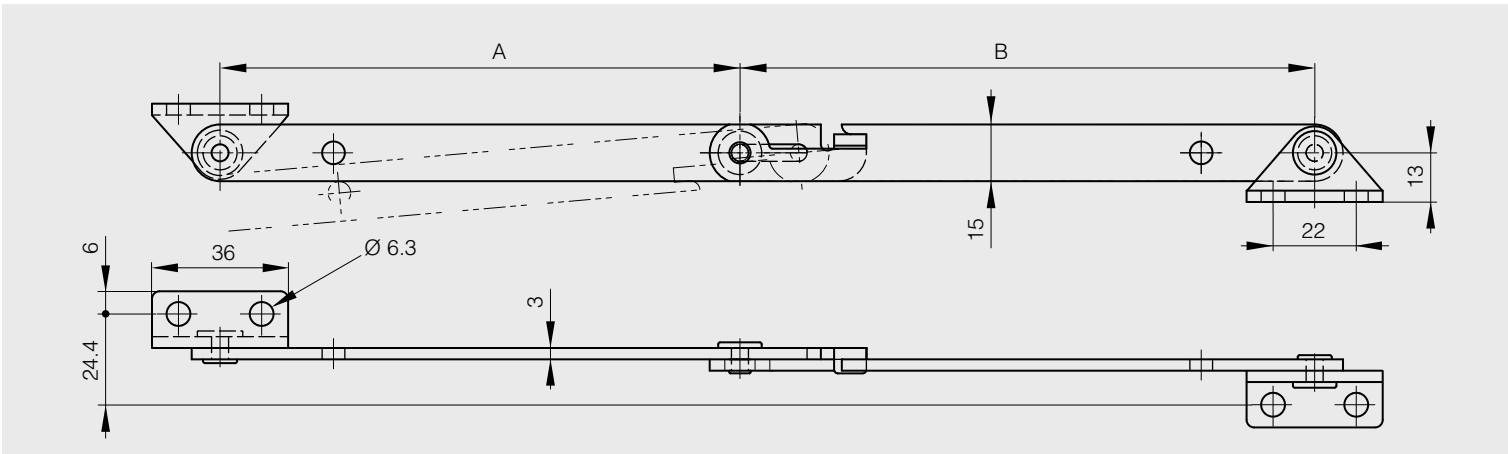


Lid & support stays

Stay with safety stop

new!

A	B	note	part number	material	finish	weight
138	152	as shown below	24-1-9001	stainless steel	raw	148g
138	152	symmetrical version not shown	24-1-9000	stainless steel	raw	148g



Stays

A	note	part number	material	finish	weight
80	as shown below	24-1-3312	steel	black zinc plated	33.5g
80	symmetrical version not shown	24-1-3311	steel	black zinc plated	33.5g

